

RA6W2 EVALUATION BOARD


Design Name	SCH_RTK7WBA6W2S05000BK_vC
Ref. Number	781-01-C
Version	C2
Date	26/May/2026
Designer	S.S./ KR
OLD NAME	RRQ61400_WLCSP_DB

History Table		
Version	Date	Comments
A0.0	27/Feb/2024	Initial version
B0.0	16/Aug/2024	<ul style="list-style-type: none"> - Added C242 to DCDC_OUT ANA - Added C239, C240 and C241 to DCDC_OUT_PA - Changed L209 to 3nH - Added C243 to VBAT - Added R215, R216, R217,R218,R219 and R220 - Added R221 and R222 - Changed L102 to 1.9pF - Changed C113 to DNI - Changed L105 to 4.7pF - Added J210 and R223
B1.0	11/Dec./2024	<ul style="list-style-type: none"> - Changed L209 to 3.9nH - Changed C105 to 10pF - Changed C103 to 0ohm - Changed C238 to 10pF - Changed L101 to 0ohm - Changed C102, C106 and C107 to DNI - Changed L102 to 4.7pF - Changed C245 to 0ohm - Changed L105 to 2.4pF
C0.0	16/Sept./2025	Project Name changed from RRQ61400 to RTK7WBA6W2S05000BK IC Name changed from RRQ61400 to R7JA6W2DEDZAL#HA0 Added C246: 3.9pF on SWDIO Added R1,R2,R224,R225 (0 Ohm) on SWCLK & SWDIO Memory changed from AT25SL641-MHE-T to AT25SL0641C-MUE-T
C0.1	18/Dec./2025	<ol style="list-style-type: none"> 1.C104 changed to DNI 2.C248 changed to cap. 0.7pF GRM0335C1HR70BA01 (0201) 3.C112 changed to ind. 1.3nF LQP03TG1N3B02 (0201) 4.L104 changed to cap. 1.1pF GRM0335C1H1R1CA01 (0201) 5.C111 changed to ind. 2.9nH LQP03TG2N9B02 (0201) 6.C247 Changed to 3.9pF GJM1555C1H3R9CB01 (0402) 7.C246 Changed to NPI 8.R1,R2 Changed to FB BLM15AG601SN1D Released to MNF
C0.2	26/May/2026	P0_03 --> XTAL32K_P P0_02 --> XTAL32K_M

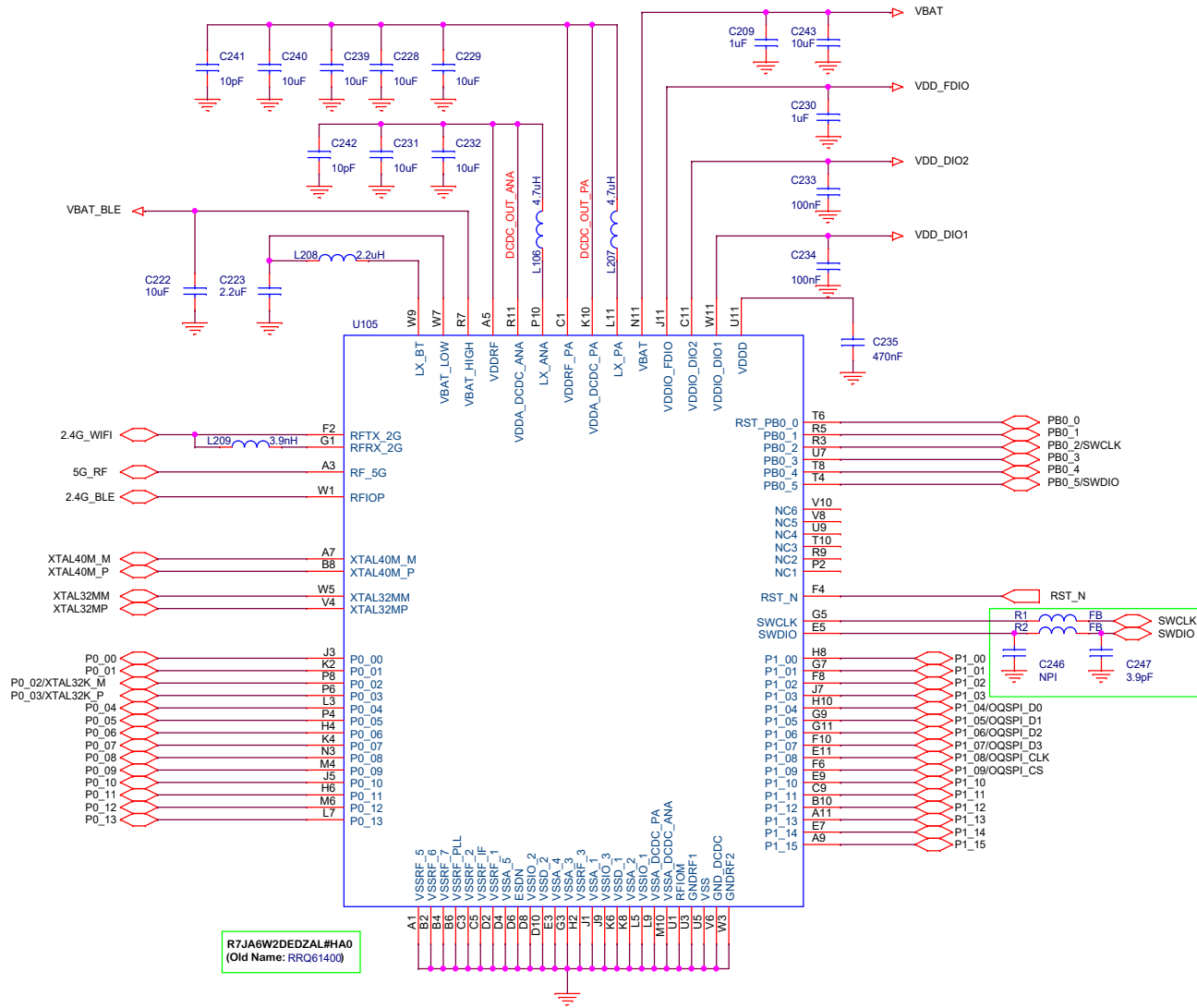
Configuration note

NOTE box

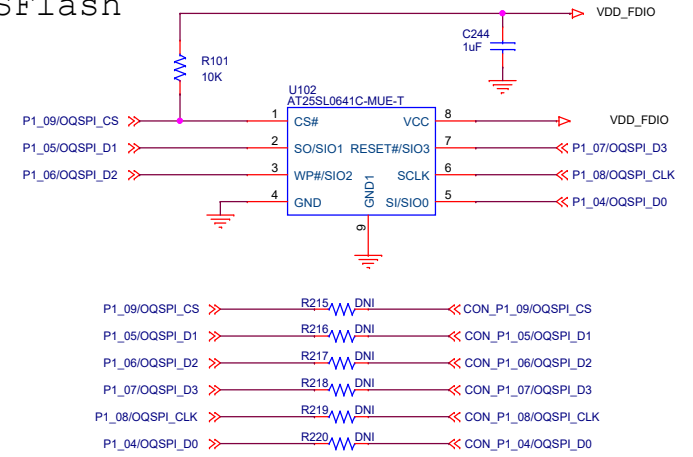
Changes in Version B

		Renesas Electronics N.E.O. Patron-Athinon 15 26441, Patra, Greece tel. (+30) 2610390940 fax. (+30) 2610390941	
		Title : SCH_RTK7WBA6W2S05000BK_vC Renesas Electronics Corp.	
Doc. Nr.	781-01-C	Designer:SS/KR	Rev:C
Date:	Tuesday, May 26, 2026	Sheet:	1 of 3

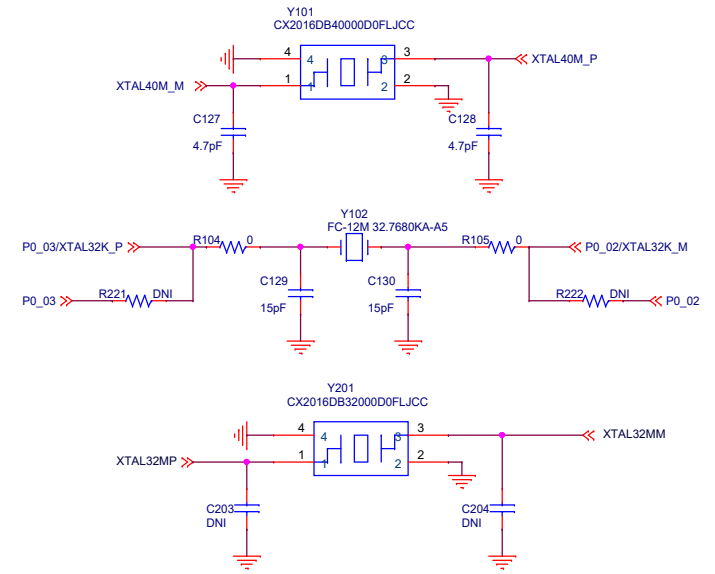
RA6W2



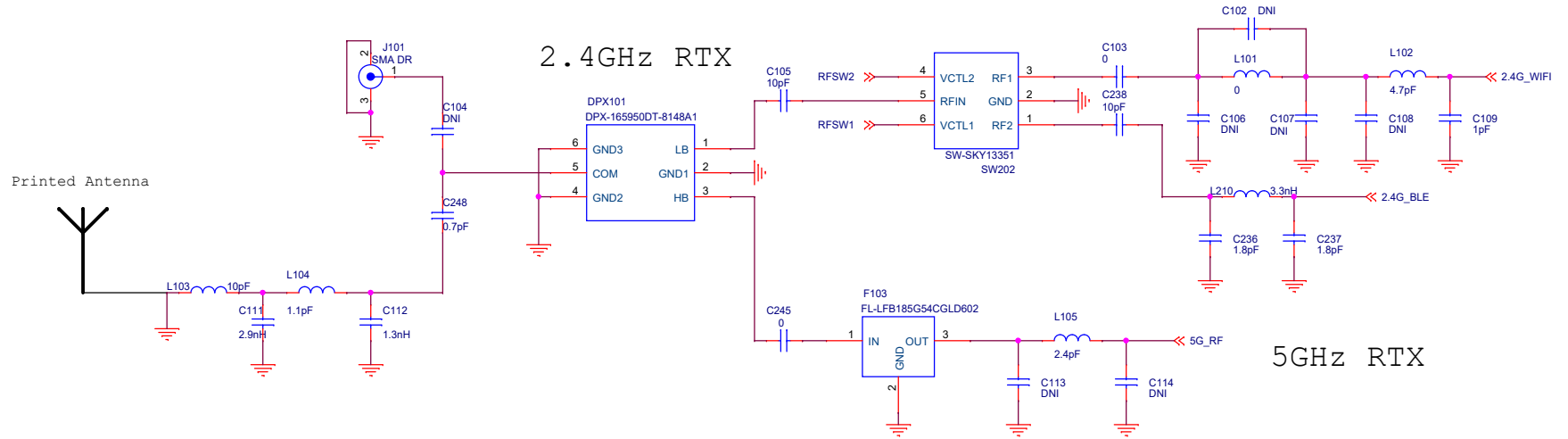
SFlash



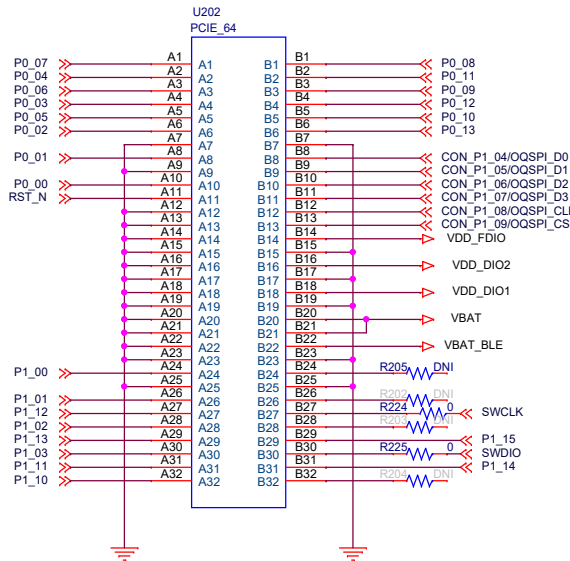
Reference Clock



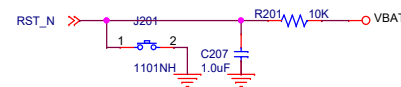
RF path



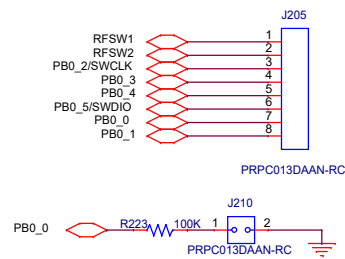
MAIN_BOARD CONNECTOR



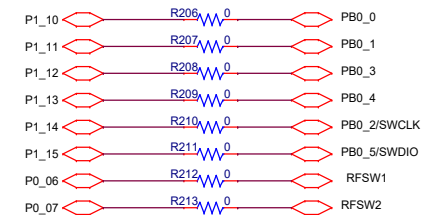
RESET



BLE signal Header



Wi-Fi BLE connection



Renesas Electronics
N.E.O. Patron-Athinon 15
26441, Patra, Greece
tel. (+30) 2610390940
fax. (+30) 2610390941